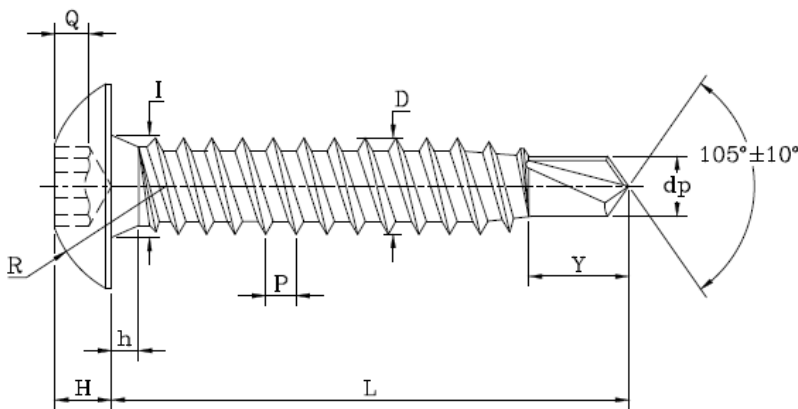


# TECHNICAL INFORMATION LASTING EXPRESSIONS

## STENI SCREW FOR METAL (SELF DRILLING)



TECHNICAL DATA	
Dimension	4,2 x 25 mm
Head	Ø 9,5 mm pan-head, Torx T-20
Material	Stainless steel A4 Welded drilling point made of hardened carbon steel
Corroton class	C5
Coating	Zinc plated w/ or wo/ powder coated head
Drilling Capacity	2,0 mm steel or aluminium
Pull-out value 1,2 mm steel	1468 N [characteristic value]
Pull-out value 1.6 mm steel	2370 N [characteristic value]
Pull-out value 2.0 mm steel	4148 N [characteristic value]
Tensile strength	6537 N [characteristic value]
Shear strength	5284 N [characteristic value]
Max torque	4,2 Nm
PRODUCT INFORMATION	
Salesunit	500 pcs/box
Weight	ca 1,1 Kg/box
Articleno.	see productlist
Country of origin	Japan

### INSTALLATION:

Panels and subframes are subject to thermal expansion

To reduce this effect the screw should be placed in the centre of the predrilled hole in the panel

To reduce the torque on the screw neck, fix the screw in one smooth operation [no start/stop motion]

The screw is installed correctly when the underside of the head is flush with the panel surface.

Further tightening of the screw can result in damage to both panels and screws. Do not countersink the screws.

We recommend setting the screw driver torque at 2/3 of the max torque.