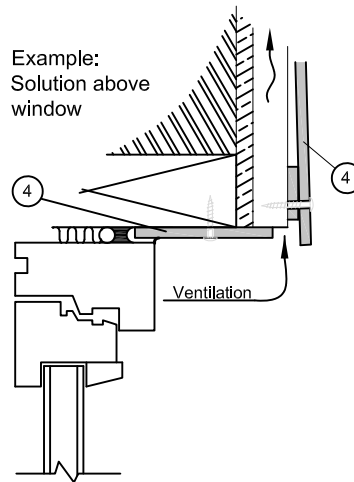
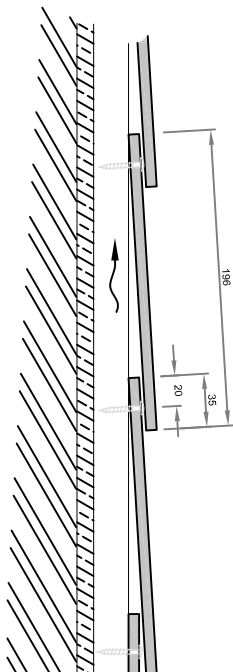
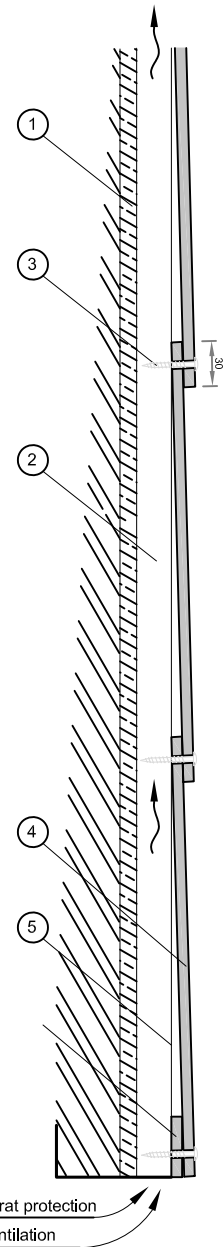
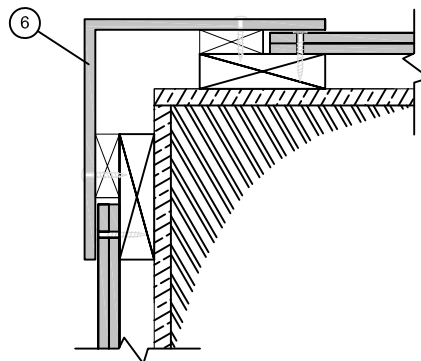


**Panel height**  
**200-395 mm:**  
 Screws through both panels

**Panel height 196 mm:**  
 Screws on top of the underlying panel.



**Example:**  
**Outside corner with corner element**



- ① Windstopper
- ②a Wooden lath - min. 23x73 mm
- ②b Wooden lath - min. 23x48 mm
- ③ Stainless steel screw A4: 4x35 mm
- ④ Steni Colour alt. Steni Nature Fine Micro
- ⑤ Steni EPDM
- ⑥ Corner Element

R:\TekniskSupport\03\_Detaljtegninger\FS detaljer\DWG\F200\_EN\_230419.dwg.

**FS 200\_1**  
 Elevation and Section Details

Issued by/Tegnet av:  
 JMK

Date of issue/Tegnet dato:  
 23.04.2019

Scale/Målestokk:  
 1:5



**steni as**  
 Tlf.: +47 33155600  
 www.steni.com